

INOKIM

INOKIM

Urban Freedom



OXO

USER GUIDE MANUAL



Electric



Personal



Mobility

Check out the **OX SUSPENSION ADAPTERS PATENT** inside!

Congratulations On Your New INOKIM OXO!

We are happy you chose to ride INOKIM.
We hope you find it to be a great riding experience
adding efficiency and fun to your daily commute.

A note from the designer:

When I started designing my first electric scooter in 2009, I envisioned a world where cars are used for long range distance only, while lightweight personal electric devices become the primary way of transportation in urban environments.

After ten years of sales, design and development of Quick, LIGHT & MINI scooters, we found the need for a more powerful scooter. Our aim was to provide a good solution for heavier riders, longer ranges and climbs in both urban & off road surroundings.

We created OXO to be a substitute for cars in distances up to 40-50km.

Enjoy, ride carefully and return home safely.



Nimrod Sapir Riccardo

A handwritten signature in black ink, which appears to read 'Nimrod Sapir Riccardo'. The signature is stylized and written in a cursive-like font.



WARNING

It is prohibited to ride in poor weather conditions

Never ride in rain, snow, water, on icy roads, dirty wet roads, poor visibility or other bad weather conditions

Always wear a helmet Most serious injuries that occur while riding are head injuries. This can be prevented if a helmet is worn. You must wear a helmet while riding your OXO. The helmet must be worn according to its instructions

Follow the local laws and regulations. Certain countries or regions require safety devices or gear. It is your responsibility to know the state laws and follow them

Firmly lock the folding lever and check your brakes before every ride

Do not do stunts, wheelies or jumps. They increase your chances of injury and might damage your OXO

Do not carry passengers

Make your first ride with INOKIM OXO in a remote location, without any obstacles



Table of Contents:

SPECIFICATIONS	5
UN-BOX YOUR OXO!	7
BATTERY	9
THROTTLE OPERATION	11
DISPLAY MODE SETTINGS	13
THE OXO SUSPENSION ADAPTERS PATENT	15
CAREFUL RIDING	17
FOLDING MECHANISM ADJUSTMENT	19
SERIAL NUMBER	20

DISCLAIMER

Myway ningbo intelligent technology will not be held responsible for any special, consequential or incidental damages caused by the use or misuse of our products. The user agrees to accept full responsibility for all such risks and to not hold myway ningbo, it's distributors or retailers responsible for any incident, injury to persons or damage to property caused by misuse of the product

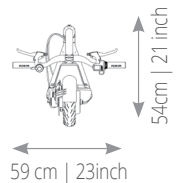
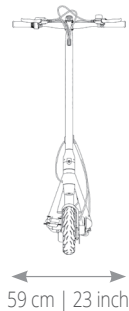
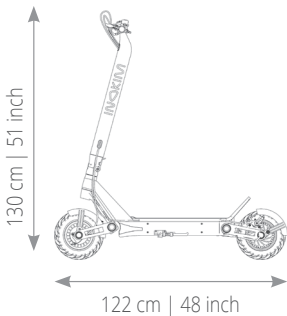
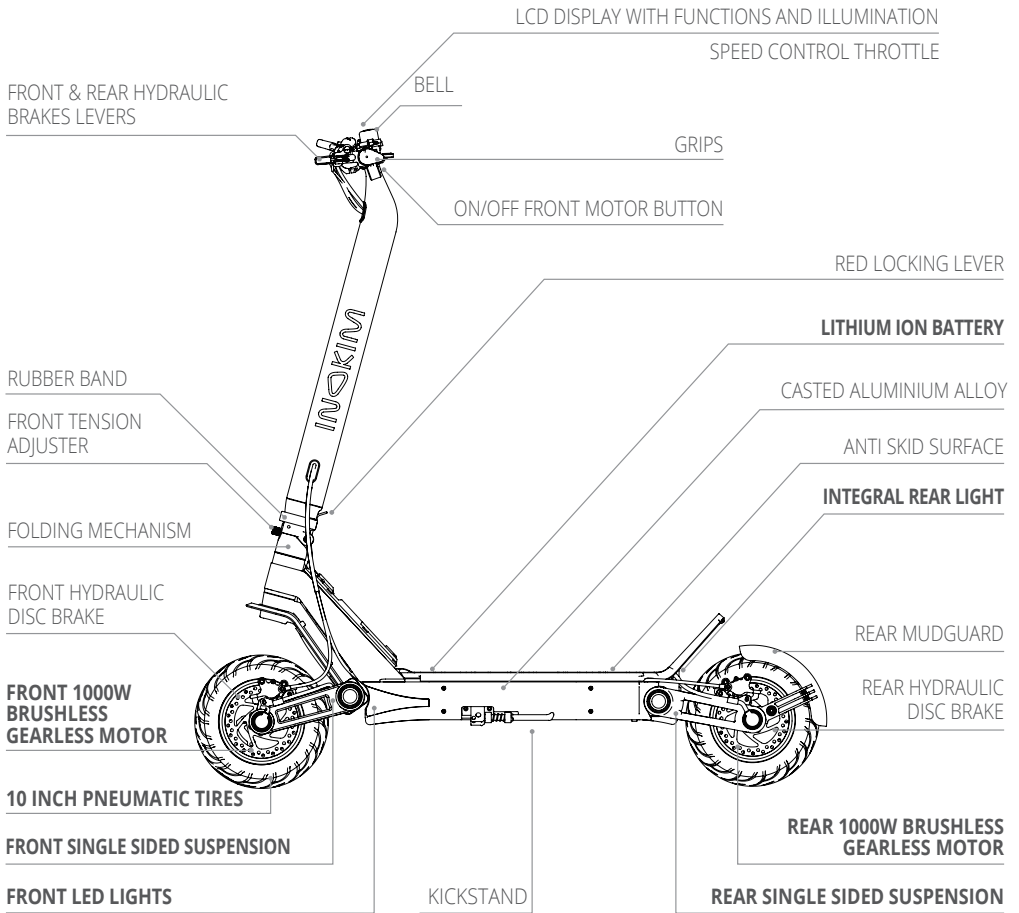
SPECIFICATIONS

MODEL	OXO
Lithium Battery	60V 25.6AH
Net Weight (+-0.5 kg)	33.5 kg
Range (km)	110 km With constant speed of 15 km/H, 75 kg load, in temperature of 25°C, on a flat road.
Charging Time (H)	13.5 hours
Motor-1	1000W gearless (peak 1300W)
Motor-2	1000W gearless (peak 1300W)
Max Speed	According to local regulations
Brakes	Front and rear hydraulic disc brakes
Tire Size	10 x 2.5 inch pneumatic tires with option to equip 10 x 3 inch off-road pneumatic tires
Tire Air Pressure	40 psi to 50 psi
Folded Size L x W x H (cm)	122 x 59 x 54 cm
Open Size L x W x H (cm)	122 x 59 x 130 cm
Load Limit	120 kg
Road lighting	Integral car LED lights
Throttle	LCD display with functions and illumination



Recommended air pressure in tires: 40 psi to 50 psi.

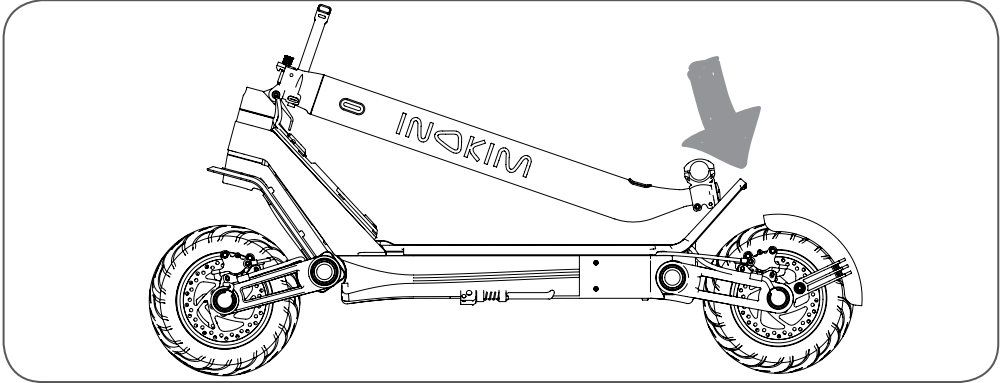
SPECIFICATIONS



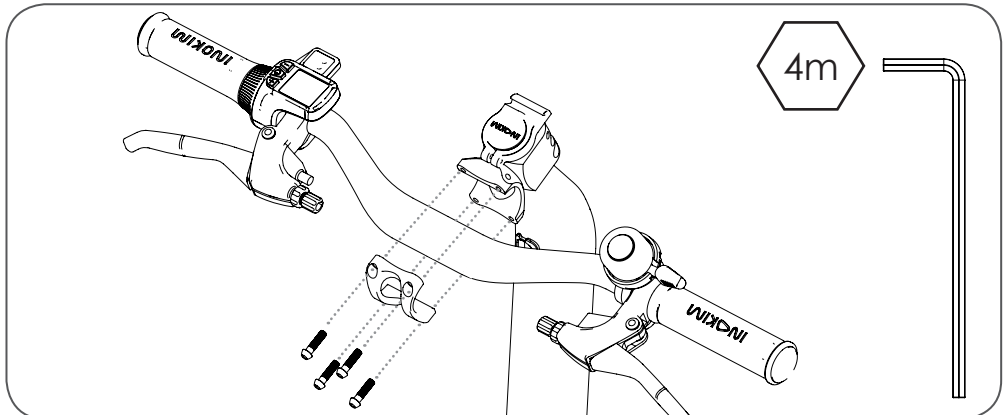
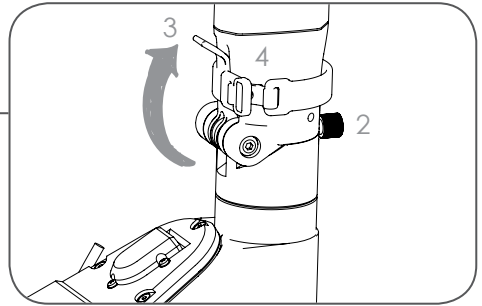
UN-BOX YOUR OXO!

**Are you ready to set your OXO free?
Please follow these instructions:**

- 1** While folded, stand the OXO on kickstand.
Push down rear end of OXO to release the SNAP LOCK and raise up the steering rod

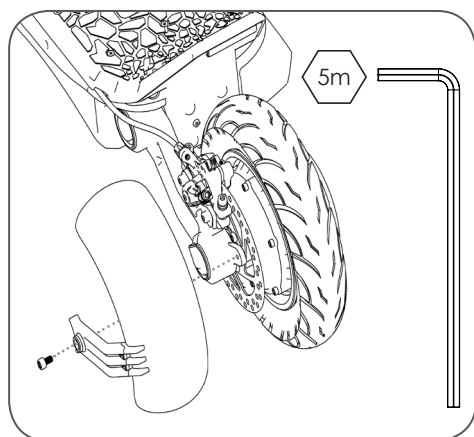
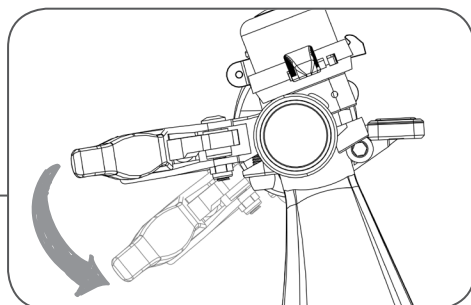


- 2** Adjust the tightening of the lever by the front tension adjuster
- 3** Fasten the RED lever
- 4** Fix safety lock rubber band
- 5** Set the handle bar in place
Use the hex key (4m)



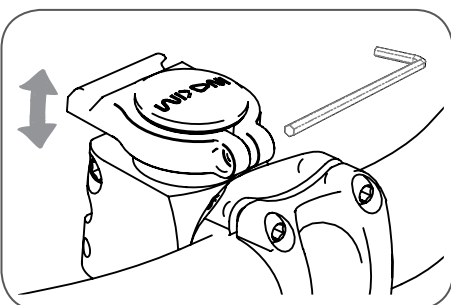
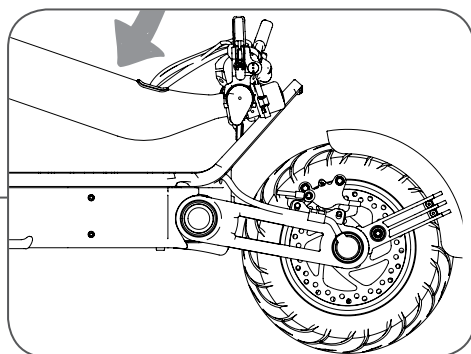
UN-BOX YOUR OXO!

- 6** Adjust the brakes angle according to your height. A good indication for your suited angle is that your wrists are straight when you ride



- 7** Connect the rear mudguard
Use hex key (5m)

- 8** When folding repeat steps 2, 3 and 4 in reverse order and then simply snap the steering rod into place



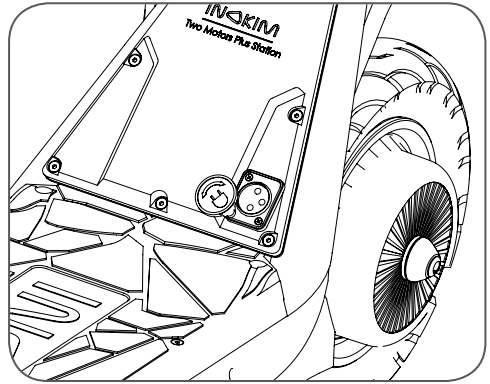
- 9** If the SNAP LOCK of your OXO is too loose / tight, you can fine-tune it by adjusting the height of the locking hook. Use hex key (2.5m)

BATTERY

Your OXO has a Lithium Battery with an external charger
When charging, connect the charging cable in this order:
FIRST to INOKIM's charging socket
THEN to the electrical outlet

Charging Indication:

RED light - Battery charging
GREEN light - Charging complete



MAXIMIZE YOUR BATTERY'S PERFORMANCE:

1. **For its initial charge, FULLY charge your OXO**
This conditions the battery for future life-span
2. **Do NOT leave a fully charged battery connected** to a charger, since overcharging may shorten it's lifetime
3. **Avoid extreme temperatures** Always try to keep the battery between 15°C and 25°C (59°F and 77°F). Extreme temperatures reduce the capacity and lifetime of the battery. A device with a hot or cold battery may not work temporarily
4. **At least once a month** fully charge the battery
5. **From time to time discharge the battery** by riding.
Use all stored energy in the battery
6. **Before storing it for a long period** charge the battery half way

BATTERY



BATTERY SAFETY REGULATIONS:

Keep the battery away from children & pets

Exposure to the battery voltage can cause death or serious injury

Unplug the battery from the outlet before performing any maintenance

It is dangerous to work on an INOKIM Scooter plugged into an electrical outlet. An electric shock can cause serious injury and damage the scooter

Do NOT use the scooter if the battery:

- Is damaged
- Emits an unusual odour or excessive heat
- Presents any leakage

Do not operate the scooter while charging!

Charge the battery only using INOKIM's OXO approved charger

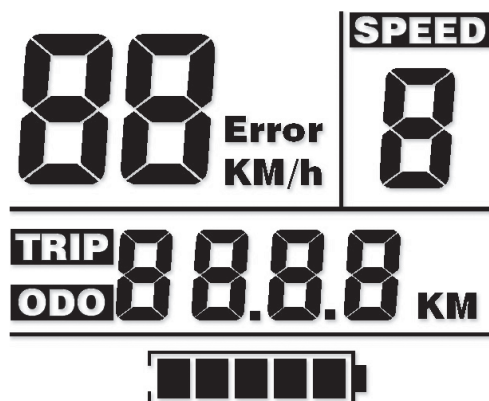
The use, storage or charging of the INOKIM battery outside specified limits may result in the annulment of the warranty, battery damage, and an ineffective battery charge

DO NOT CUT, OPEN, CRUSH OR PUNCTURE BATTERIES!

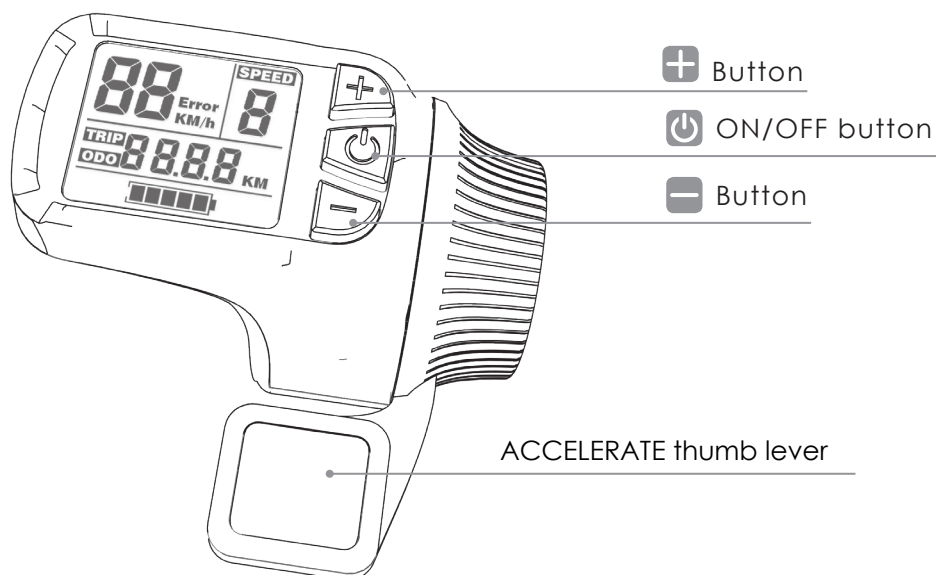
IN THE EVENT OF A BATTERY LEAK, PREVENT CONTACT OF LIQUID WITH SKIN OR EYES. IF THIS HAPPENS, WASH THE AFFECTED AREAS IMMEDIATELY WITH WATER AND SEEK MEDICAL HELP

THROTTLE OPERATION

LCD DISPLAY




THROTTLE BUTTONS INTRODUCTION



WAIT UNTIL LCD DISPLAY STOPS FLASHING
BEFORE YOU START RIDING


THROTTLE OPERATION

POWER ON

To power on the scooter:
press 

Wait until LCD display stops flashing
before you start riding

POWER OFF

To shut down the system:
press  for three seconds

AUTO OFF

After 10 minutes of not using any function,
the scooter will automatically shut down

ACCELERATION

To accelerate: gently press the thumb lever.
The OXO is powerful so be careful!

SPEED

This function is to limit the full speed of the scooter
for beginners or for more accurate riding in a
crowded surrounding.

The mode can be changed with the   buttons

TRIP

Your TRIP distance since your last trip reset.
Reset TRIP by long press 

To swap to ODO and battery voltage: press 


ODO

Your scooters total distance since its factory assembly



Your current battery voltage status

LIGHTS FUNCTION

To turn the front and rear lights on: long press 
The LCD back-light indicates that the lights are on.
The lights will turn on automatically if the ambient
photographic coefficient is lower than the set value
(You can set it in mode 5, p.15)


Error

Your system has encountered an error,
please contact your local dealer to find out what it is

DISPLAY MODE SETTINGS

Navigate easily through the settings:

Enter settings (mode1): Press  together for 2 seconds.


Switch between modes: Press 

Return to main function menu: Long press 

LCD BACK-LIGHT

Mode 1

There are 3 levels for LCD brightness: low/medium/high.

To change level from 1 to 3: Press 

Long press  to save setting.



Short press to enter Mode 2

SPEED LIMIT MODE

Mode 2

Default and highest speed: 25km/h at full throttle.

You can define other speed limits (from 6km/h to 25km/h).

To change speed limit number: Press  or 

Long press  to save setting.

Short press to enter Mode 3

CRUISE CONTROL

Mode 3

While riding at any same speed for more than ten (10) seconds, the Cruise Control will be turned on.

When Cruise Control is operated, you can release your thumb from the throttle and the scooter will continue to ride at full speed.

Default for safety reasons: Cruise Control Off ("n" indicates no Cruise Control).

To Enable Cruise Control: Press  or 

("Y" indicates yes Cruise Control).

Long press  to save setting.

Short press to enter Mode 4

DISPLAY MODE SETTINGS



WARNING

**Please be aware that when using Cruise Control,
RELEASING YOUR THUMB FROM THE THROTTLE
WILL NOT SLOW YOU DOWN!!!**

You may find yourself in danger or endangering others

2 ways to exit Cruise Control:

- Brake with the LEFT or RIGHT brake lever (both work)
- Press the thumb lever again.

If you choose to set your Cruise Control to ON. It's very important you practice your exit so that it comes naturally!

KM / MILE

Default Setting: km/h ("0" indicates km).

Mode 4

Press or to alternate to mile ("1" indicates mile)

Long press to save setting.

Short press to enter Mode 5

PHOTOCELL

The throttle has light sensors that detect the photographic coefficient (light level) and switch your lights on/off accordingly.

Mode 5

Default Setting: Photocell On ("Y" indicates yes)

To disable photocell Press or ("n" indicates no)

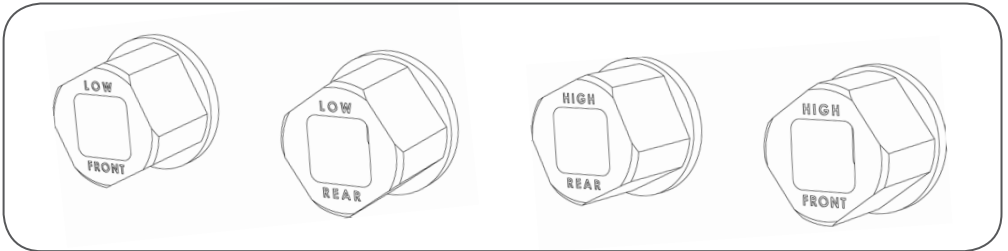
To adjust the light level - When letter is "Y" press

Default value: 510

Press or to turn up/down the value.

Long press to save setting

THE OXO SUSPENSION ADAPTERS PATENT



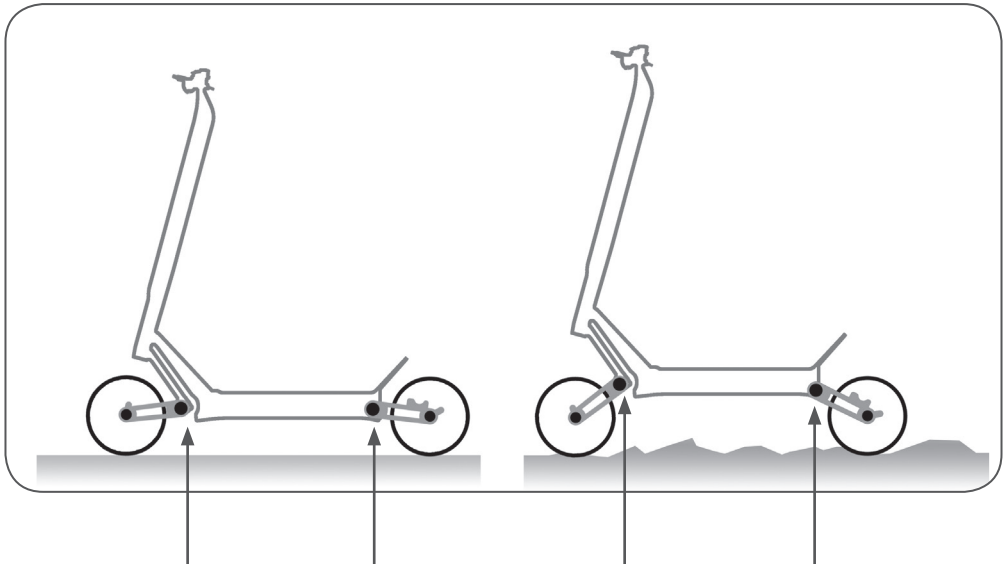
The OXO has a unique patent on the adjustable suspension system.

The **OXO Suspension Adapter Patent : OSAP**

The **OSAP** allows you to alternate the suspension position:

LOW POSITION is the default, for better stability mainly at higher speeds

HIGH POSITION is for larger suspension travel, mainly in rough terrain



WHEN REPLACING THE OSAP PAY ATTENTION:

Don't remove the wheel from the arm!

Work on the side of the suspension arm which is connected to the scooter body

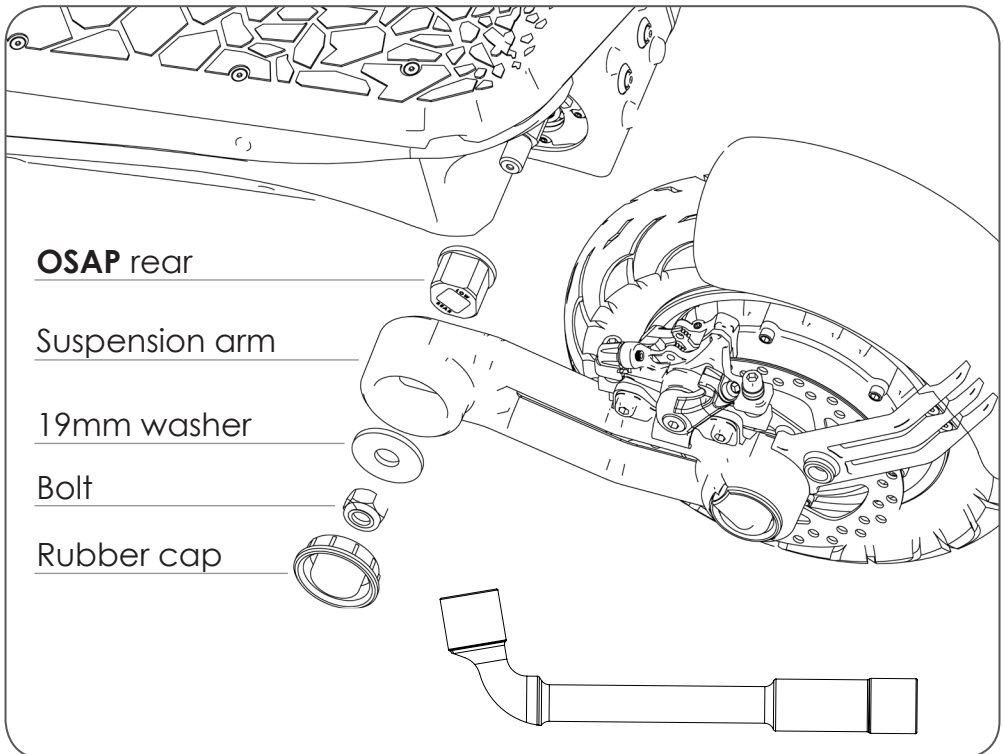
REPLACING **OSAP** FROM HIGH TO LOW

In order to turn your OXO into LOW POSITION use the LOW POSITION kit:

It is recommended that you place the OXO on an uplifted surface such as a chair or a box, so that the main body is firmly set on the surface and the two wheels are in the air

Remove the rubber caps and use the 19 mm socket spanner to release the suspension arms from their location

Once the suspension arm is out of its place, replace the **OSAP** from LOW to HIGH in each suspension arm. Keep front and rear **OSAP** in their respective places. Assemble back in reverse order. You can use the sketch below for assistance



CAREFUL RIDING

Get to know your OXO before driving it Test your control over it. Make your turns slowly and cautiously, and give yourself stopping distance

To gain control over your scooter, practice your first ride on your OXO in an open space with no obstacles to disturb you

The OXO requires a short **adjustment and break-in period** for all moving parts to adjust themselves into their correct position

Before each ride always:

1. Check your brakes function
2. Check the tires for signs of wear
Spin them to make sure that they are not yet in need of replacing
Make sure that the wheels are freely rotating clear of the brakes
3. Perform a visual inspection :
That all screws and nuts are tight and in place
Note if anything looks amiss, or is showing signs of wear

If you are unsure, bring your OXO to an authorized INOKIM distributor

RIDING TECHNIQUE:

Before riding position your foot as close as possible to the front section of the scooter, and your other foot on the ground. Make sure that your driving route is clear

To start riding, boost yourself forwards (as on non-motorized scooters) with your foot that is on the ground. Place it on the scooter immediately afterwards and press the thumb lever downwards, tilting your body forwards so you won't fall backwards during acceleration

CAREFUL RIDING



**As you accelerate, lean forwards.
As you brake, tilt your weight backwards!**

Avoid putting body weight on the handle bars whilst accelerating and decelerating!

Keep one foot behind the other, (it's more comfortable to place one foot forward and the other one turned backwards at 70-90°, like on skate/surfboard). It will help you gain more stability

Turns - The turns on INOKIM are done as on skis/surf/snowboard. The handlebar should be in parallel to the body. Before turning look at the approaching direction and make sure turning is safe

Braking - Tilt your weight backwards so that the brake action will come through the feet and not through the handlebar and steering system. It is best to learn how to adjust the centre of gravity while stopping, otherwise there is a dual concern: forward tipping over and/or wear and breaking of the handlebar and steering system



Riding, like most sports, involves risks of injury and damage. By choosing to ride INOKIM the responsibility and all inherent risk is on you. It is crucial that you know, understand and act according to safety rules

FOLDING MECHANISM ADJUSTMENT

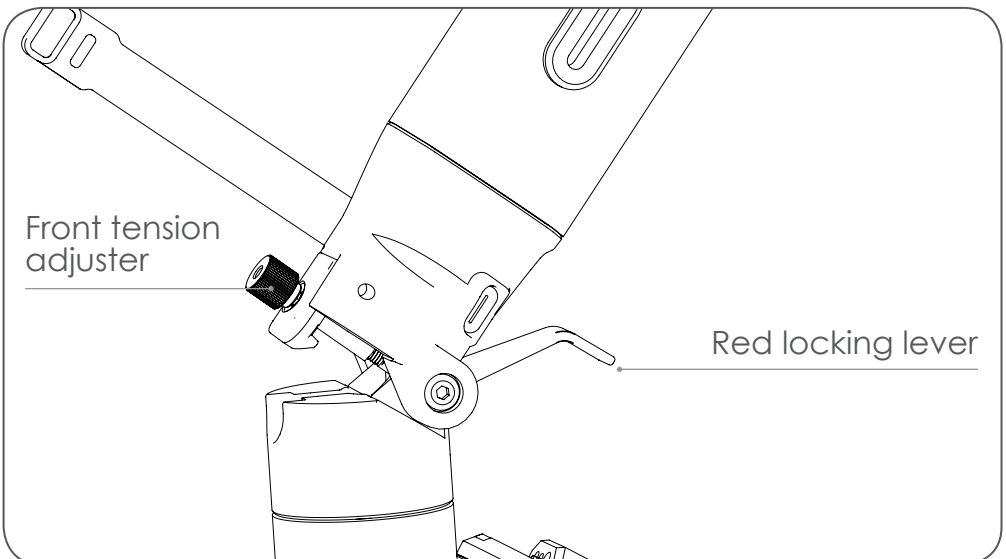
If the folding mechanism is too loose or too tight, you can adjust it



**The adjustments needed are VERY small.
Work sensitively, be patient and you'll get it right!**

To Tighten / Loosen

1. The red lever for locking the folding mechanism should be tightened in a way that the steering rod is firm
2. If the red locking lever is too loose, open it and tighten the folding system by turning the front tension adjuster approximately 30 degrees clockwise
3. If the red locking lever is too tight, open it and loosen the folding system by turning the front tension adjuster approximately 30 degrees anti-clockwise
4. Test the function until the pressure of the red lever is reasonably hard and the steering rod is firm



SERIAL NUMBER

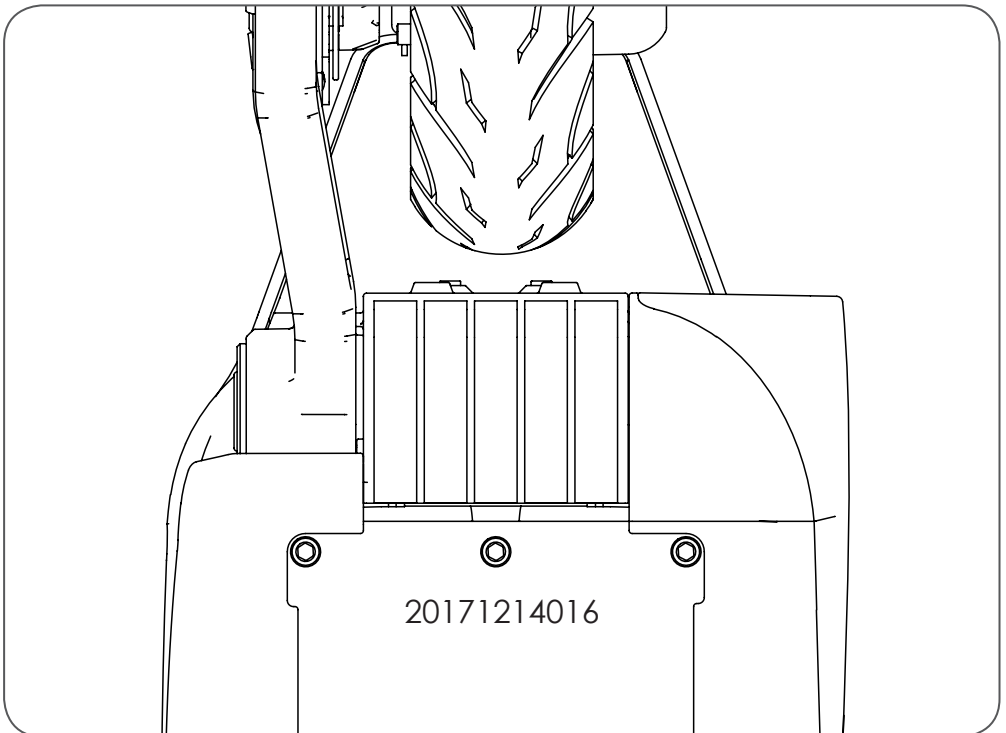
Each INOKIM has a unique serial number

These numbers can provide information that may be useful later on for insurance claims and in case of loss or theft



**Write down the serial number of your OXO scooter.
Keep this information separately and in a safe place!**

The number is on the BOTTOM REAR SIDE of the board



Join / create INOKIM RIDERS in your city!



OPERATION & MANAGEMENT
NINGBO MYWAY INTELLIGENT TECHNOLOGY CO.,LTD.
17# PUTUOSHAN ROAD, BEILUN, NINGBO,
ZHEJIANG PROVINCE, CHINA 315806
WWW.INOKIM.COM | GLOBAL@INOKIM.COM

INOKIM



WWW.INOKIM.COM